

## Mounting Instruction

### Sport Lens

1/1

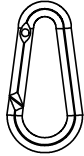
#### Bemærk:

- Servicing af LED enhed og LED driver, må kun udføres af en kvalificeret person.
- Sikre dig at armaturet er i spændingsløs tilstand, før LED enhed åbnes eller ved udførsel af service.
- "ESD følsom elektronik" undgå alt unødvendig berøring af LED paneler og LED drivere.
- Optiske linser, andre former for optik og gitter, skal altid være monteret når armaturet er i drift.
- Armaturer med DALI driver, skal være tilsluttet en god og aktiv jordforbindelse.

#### Attention:

- Servicing of LED geartray and LED driver, may only be performed by a qualified person.
- Always power of luminaire before opening LED geartray or performing service.
- "ESD sensitive components" avoid unnecessary touching LED boards and LED drivers.
- Optical lenses, other forms of optics and grids, must always be mounted when luminaire is in operation.
- Luminaire with DALI driver must have an active ground/earth connection.

1.)



x 4

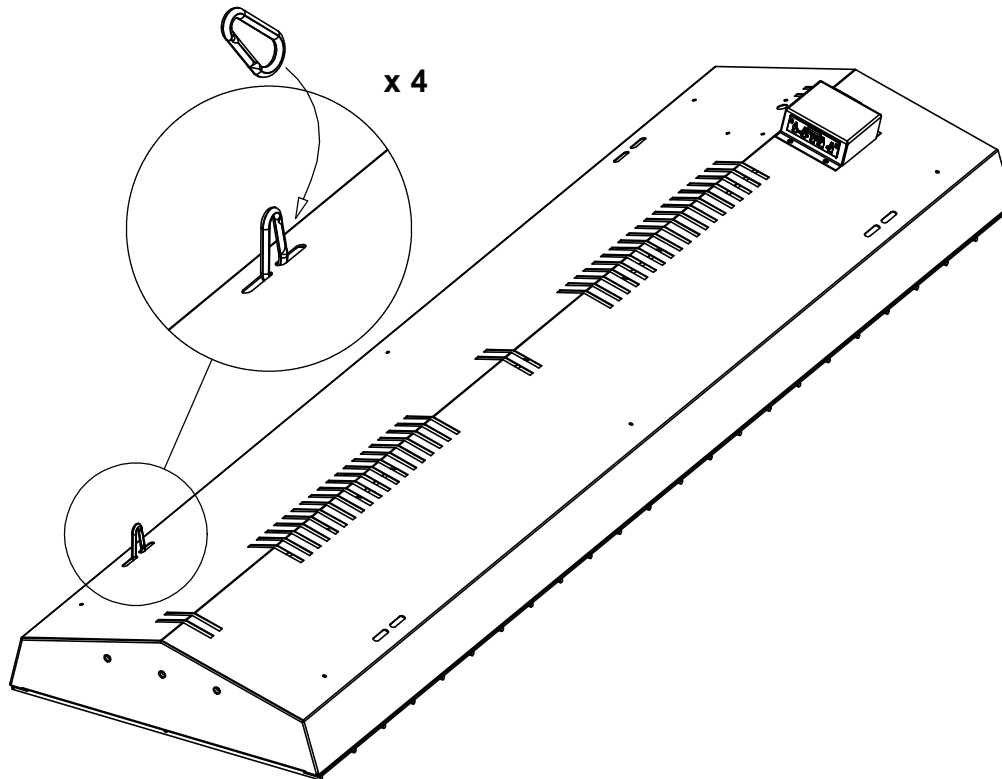
DK - KARABINHAGE  
GB - CARABINER



x 1

DK - WINSTA STIK SÆT  
GB - WINSTA PLUG KIT

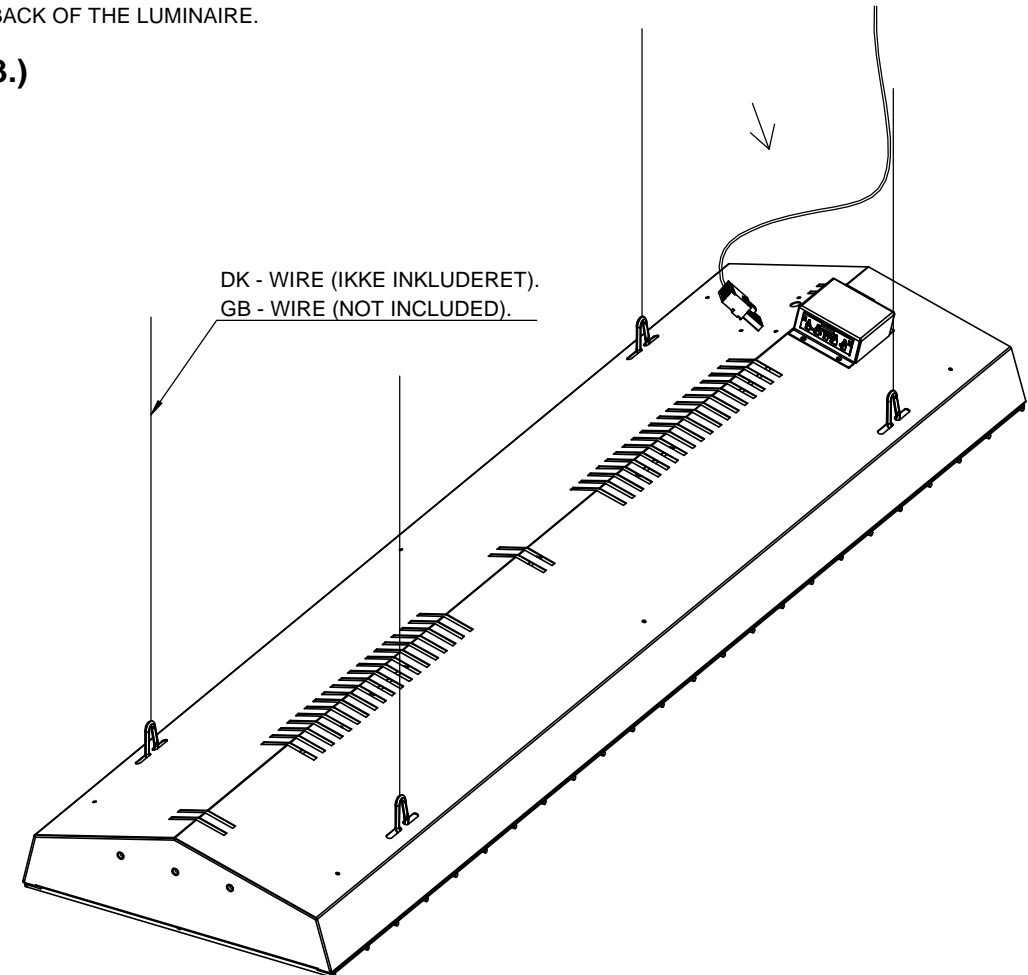
2.)



DK - DET MEDFØLGENDE WINSTA HUNSTIK OG TILHØRENDE AFLASTNING KAPPE MONTERES PÅ TILLEDNINGEN.  
TILLEDNINGEN TILSLUTTES HEREFTER I WINSTA STIKKET PÅ OVERSIDEN AF ARMATURET.

GB - THE FEMALE WINSTA PLUG AND CABLE RELIEF IS MOUNTED TO THE MAIN POWER CABLE.  
THE MAIN POWER CABLE ASSEMBLY IS THEN CONNECTED TO THE WINSTA CONNECTOR ON THE BACK OF THE LUMINAIRE.

3.)



DK - !! **BEMÆRK** !! VED EVENTUEL SERVICERING, ER DER EN **INTERN** STIKFORBINDELSE MELLEM LED-ENHEDEN (LED INDSATS) OG ARMATURKASSEN SOM SKAL **FRAKOBLES**, FØR LED-ENHEDEN KAN FJERNES HELT FRA ARMATURET.

GB - !! **ATTENTION** !! IN CASE OF SERVICING, THERE IS AN **INTERNAL** CONNECTION BETWEEN LED-GEARTRAY AND LUMINAIRE CASING THAT MUST BE **DISCONNECTED** BEFORE LED-GEARTRAY CAN BE COMPLETELY REMOVED FROM THE LUMINAIRE.